

ATyS *d* H

Transfer Switching Equipment
from 4000 to 6300 A



When **energy** matters

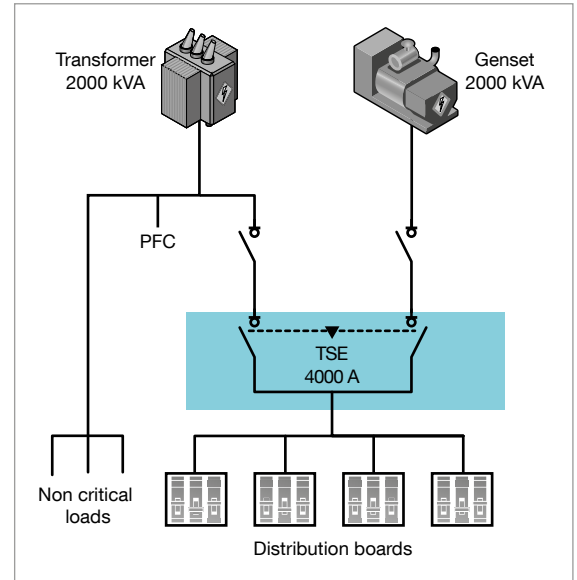
 **socomec**
Innovative Power Solutions

Why do you need Transfer Switching Equipment (TSE)?

Power outages can occur, even in high reliability distribution networks, leading to major incidents and losses on critical applications :

- Emergency systems.
- Healthcare facilities.
- Server rooms.
- Production lines.

To maximize your power availability, the Socomec range will safely transfer from any unstable or lost source to an alternate source. Furthermore, we ensure that you are prepared at all times thanks to our unique safety functions that facilitate maintenance on your low voltage electrical installation.



Managing high ratings to provide maximum availability in your application

Contact us to find out how your application could benefit from ATyS d H.



Data Center upstream secure transfer

Availability is one of the most used words in data centers. By combining a robust solution with high MTBF - quick to replace and easy to repair TSE - you have the assurance of high overall system availability, decreasing your data center downtime while securing your business.

Ready to integrate in the enclosure of your choice

ATyS d H is a complete transfer switch that can be installed in any enclosure of your choice. All ratings maintain the same overall dimensions to make your system simpler than ever - and it is now possible to upgrade without changing the enclosure.



Backup source transfer for industrial applications

For some processes, downtime is simply not an option. Even using a UPS with limited backup time to ensure continuity, most industries cannot afford to compromise on productivity and always include a backup source with a safe and integrated transfer solution.

Why choose Socomec's *ATyS d H*?



Constant power availability keeps your activity safe and efficient. At Socomec, we have been designing, manufacturing and testing switchgear since 1922 and guarantee safe, reliable and long lasting Transfer Switching Equipment (TSE) for your electrical installation. All our solutions are fully compliant with Class PC of IEC 60947-6-1, the international product standard for TSE.

Today, more than 3 million installations and major integrators worldwide are secured with a Socomec transfer switch.



**Ready
to integrate**

Complete functional unit with integrated interlocks ready to be installed in any enclosure of your choice.



**Easy
to order**

Select from 3 or 4 pole, 4000, 5000 or 6300 A versions.



**Quick
installation**

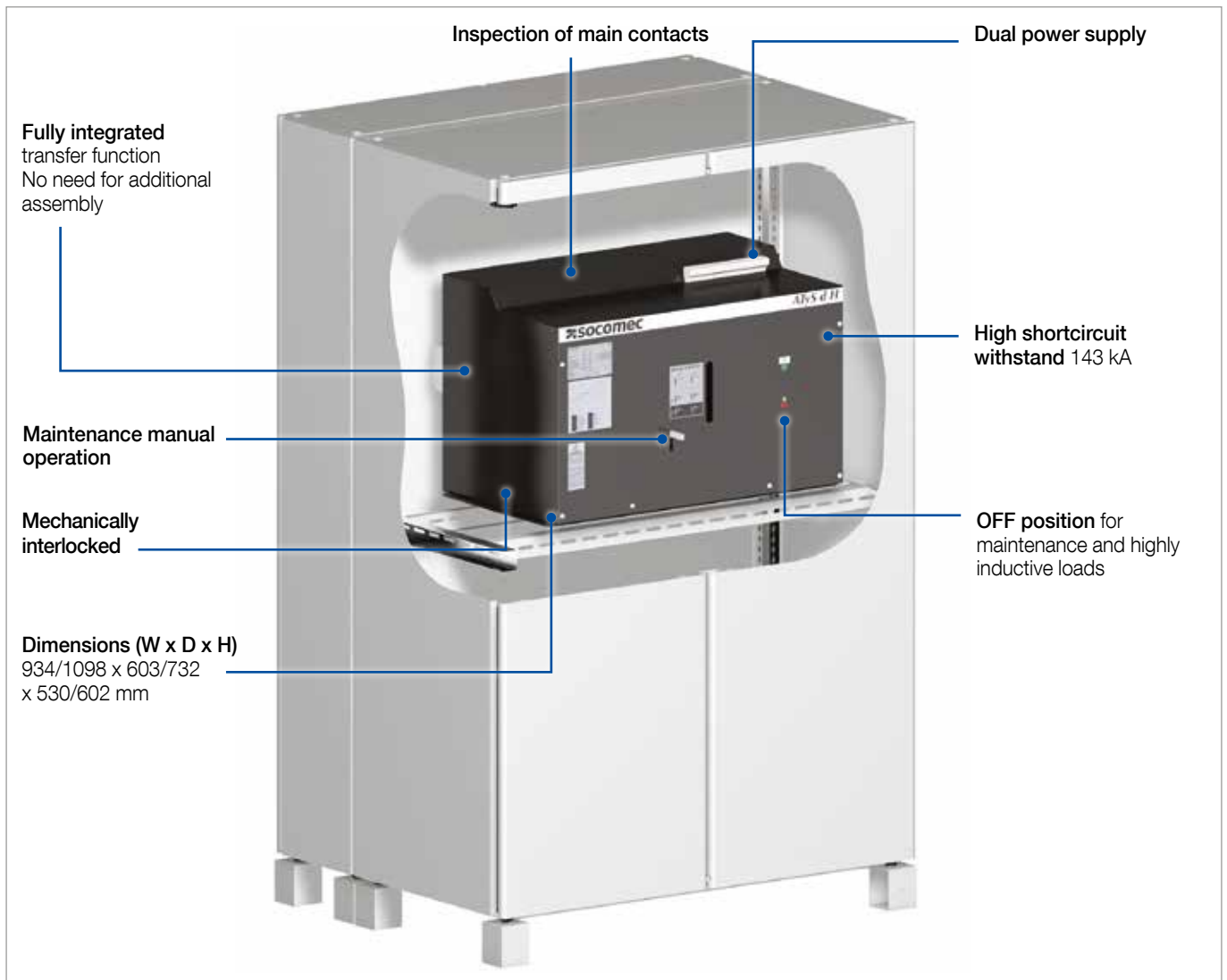
Connect the bars on the rear side of the ATyS d H and cable the control wires to any genset or ATS controller in the market. Forget about hard installations where you need to connect several products to make it work.



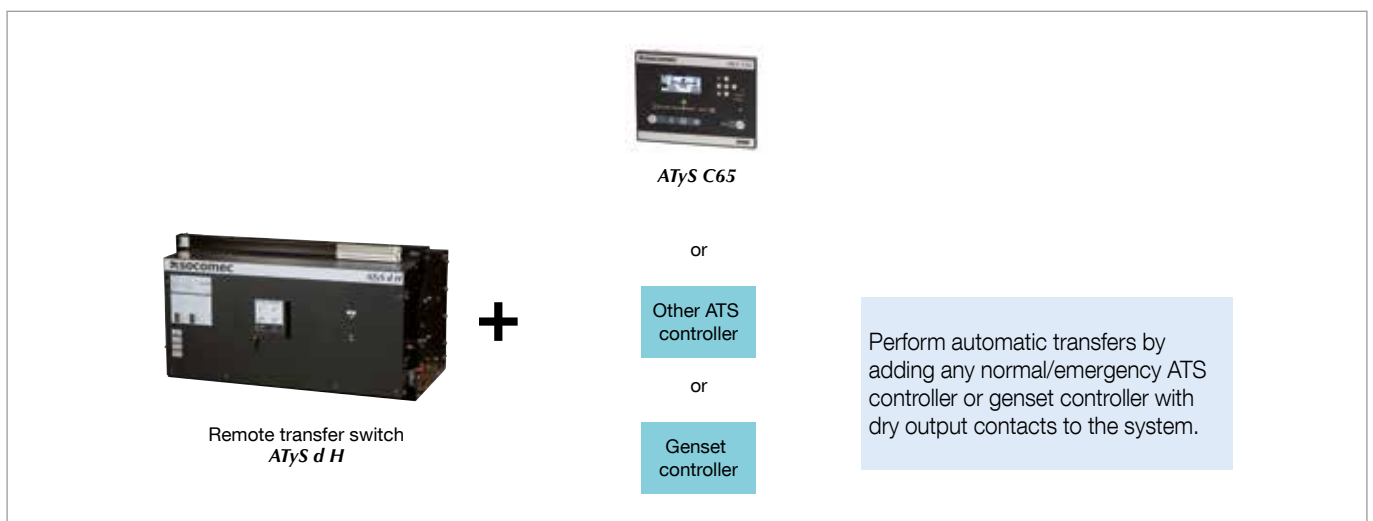
**Proven
technology**

An integrated solution that has been engineered and tested according to IEC 60947-6-1 Class PC standard requirements for transfer switching.

Main features



Automate your transfer switch



Remotely
operated

Utilisation:
Associated with any
external genset or
ATS controller

Unique TSE for high power applications



ATyS d H

- Dual power supply
- Open transition (I-O-II) RTSE
- 3 or 4 poles version
(only 2 sizes: 866 or 1096 width)

A solution for every application

Manual	Remotely operated	Automatic	Enclosed
 SIRCO VM1	 ATyS S & d S ATyS d M	 ATyS t M & g M ATyS p M	 < 160 A
 SIRCOVER SIRCOVER Bypass	 ATyS r ATyS d H	 ATyS g ATyS p	 > 125 A
DC		Static	Bypass
 SIRCOVER PV	 ATyS S DC ATyS r DC	 STATYS	 ATyS Bypass

Socomec: our innovations supporting your energy performance

1 independent manufacturer

3,600 employees
worldwide

10 % of sales revenue
dedicated to R&D

400 experts
dedicated to service provision

Your power management expert



POWER
SWITCHING



POWER
MONITORING



POWER
CONVERSION



ENERGY
STORAGE



EXPERT
SERVICES

The specialist for critical applications

- Control, command of LV facilities
- Safety of persons and assets
- Measurement of electrical parameters
- Energy management
- Energy quality
- Energy availability
- Energy storage
- Prevention and repairs
- Measurement and analysis
- Optimisation
- Consultancy, commissioning and training

A worldwide presence

12 production sites

- France (x3)
- Italy (x2)
- Tunisia
- India
- China (x2)
- USA (x3)

28 subsidiaries and commercial locations

- Algeria • Australia • Belgium • China • Canada
- Dubai (United Arab Emirates) • France • Germany
- India • Indonesia • Italy • Ivory Coast • Netherlands
- Poland • Portugal • Romania • Serbia • Singapore
- Slovenia • South Africa • Spain • Switzerland
- Thailand • Tunisia • Turkey • UK • USA

80 countries

where our brand is distributed

Socomec Asia Pacific Pte. Ltd

11 Ubi Road 1
#02-01 Meiban Industrial Building
408723 SINGAPORE
Tél.+65 6506 7600
Fax+65 6458 7377
info.sg@socomec.com

YOUR DISTRIBUTOR / PARTNER

www.socomec.sg

