

ATyS C35

ATS Controller
digital functions

new



ATyS C35

The solution for

- > ATS panels
- > Compact transfer enclosures
- > Simple ATS controls



Strong points

- > Self-supplied from sensing circuit
- > Integrated AC Double Power Supply
- > RS485 Communications
- > Multiple mounting options
- > LCD Display

Conformity to standards

- > IEC 61010-2-201
- > IEC 60947-6-1
- > GB/T 14048.11 Annex C



Compatible with



ATyS r
Transfer Switching Equipment

Function

ATyS C35 is an ATS controller with a display screen and communication functionality. It is specifically designed to pilot Socomec remotely operated transfer switches, such as ATyS r, ATyS S and ATyS dM, and can also function with other brands using switch based, contactor based or circuit breaker based remote transfer switches.

ATyS C35 ensures the automatic or remote transfer in open transition from one source to another with programmable thresholds and timers. This controller also displays the information that it collects from the network and switch both on screen as well as on the LED synoptic, enabling users to keep track of the installation status.

Advantages

Flexible space saving

The ATyS C35 controller can be mounted on either a DIN rail or to the panel door, offering flexibility and optimising space.

Cost-effective

The ATyS C35 has an integrated DPS, for supplying the motorisation of the switch, and can be door mounted, therefore there's no need for an external DPS or display, reducing installation time and costs.

Flexible configuration options

- Programmable thresholds and timers.
- 3 programmable inputs.
- Functional with PC, CB or CC.

Display and communications

- Displays voltages, frequencies and phase angle.
- Timer counters displayed on screen.
- RS485 Modbus communications for monitoring and programming.

General characteristics

- Self-powered from sensing.
- Voltage supply range (184 - 300 VAC).
- DC aux power supply (for optional use).
- Main/Main or Main/Genset networks.
- Programmable inputs.
- RS485 Modbus communication.
- Voltage sensing on all phases.
- Three-phase + Neutral & Single-phase + Neutral networks.
- Phase rotation checking.
- Door or DIN rail mounting.

References

Description	Reference
ATyS C35 – ATS controller	1600 0035
ATyS r - Remotely operated Transfer Switching Equipment	9523 xxxx ⁽¹⁾

(1) xxxx variable based on the number of poles and rating.

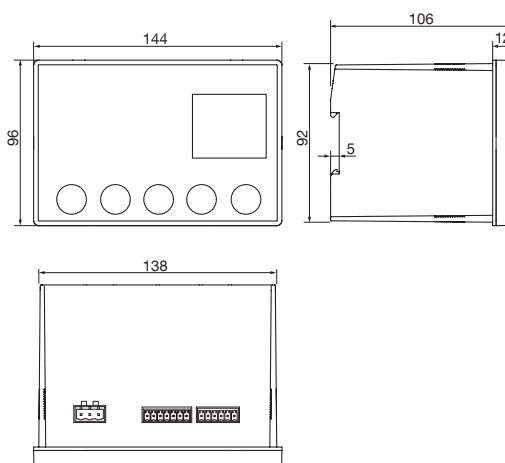
Front panel



1. Controller status indication.
2. Configuration dip-switches.
3. Dashboards / Test on Load (3s).
4. Position orders (in Manual).
5. Auto/Manu mode selector.
6. Mimic panel.

atysc_0xxx_8.ai

Dimensions (mm)



atysc_001_lb_1_x_catal

Characteristics

Electrical characteristics

AC operating limits	184 ⁽¹⁾ - 300 VAC
Optional DC supply	10-30 VDC
Frequency limits	45 - 65 Hz
Power consumption	< 10 W
Inputs	4 fixed 3 programmable
Outputs	4 fixed - 1 programmable ⁽³⁾
External DPS max current (240 VAC)	6A AC1 - 1.5A AC15
Impulse withstand	6/4 kV ⁽²⁾
Overvoltage category	CAT 3

Mechanical characteristics

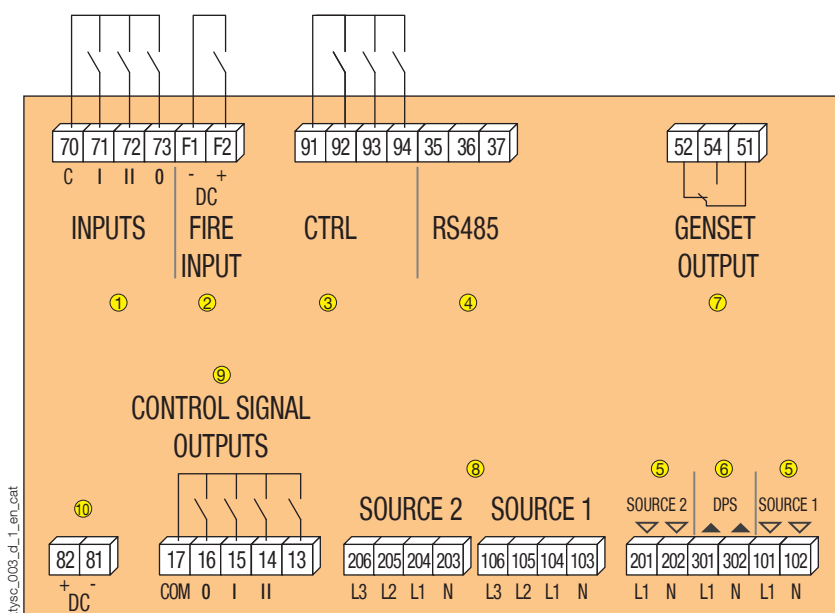
Weight	845 gr
Door cutout	138 x 92 mm
Operating temperature	-25 ... +70°C
Communications	
Interface type	RS485. 2 to 3 half duplex wires
Protocol	MODBUS RTU
Baud rate	2400-38400

(1) 200 VAC in contactor mode.

(2) 6 kV tested between phases of a different source and 4 kV tested between phases of a the same source.

(3) Only in main-main mode.

Terminals



1. Switch position inputs
2. DC fire input (forces 0 & inhibit)
3. Control inputs
4. RS485 communication
5. DPS input (source 1 and 2)
6. DPS output to motor
7. Genset NO/NC output
8. Voltage sensing S1 & S2
9. Control outputs to transfer device
10. DC aux power supply (for optional use)

atysc_003_d_1_en_cat