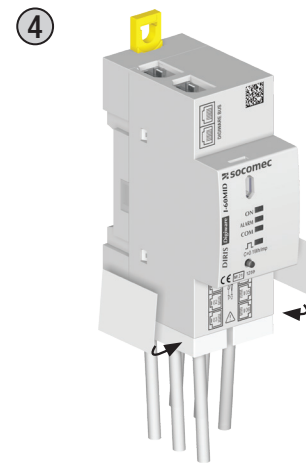
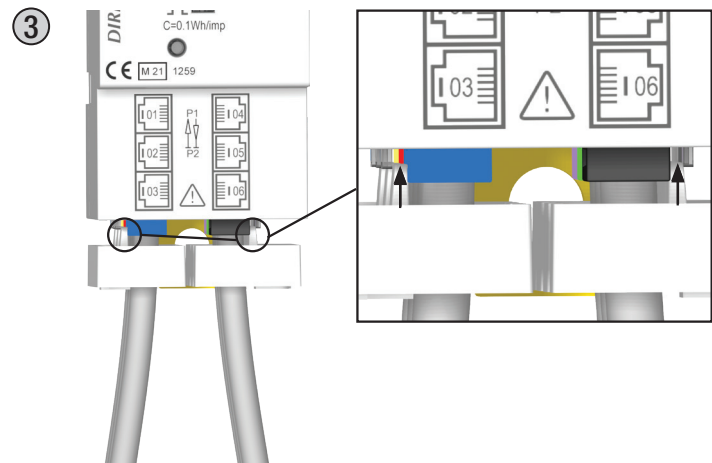
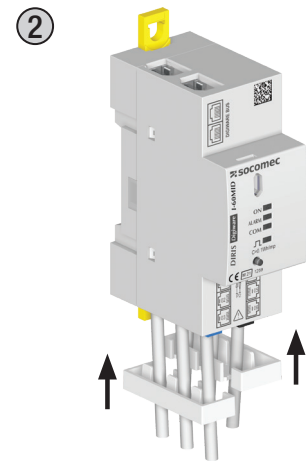
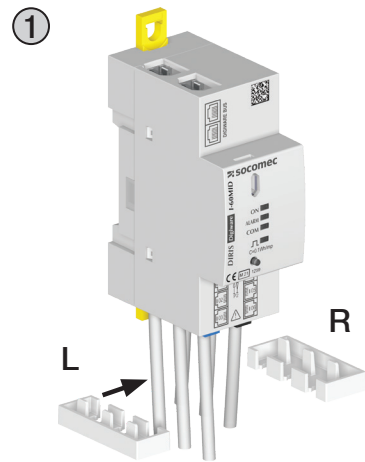


6 Void covers and stickers (for DIRIS Digiware I-xxMID meter only)*

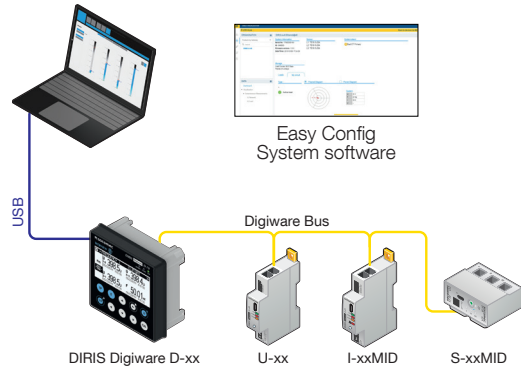
I-6xMID



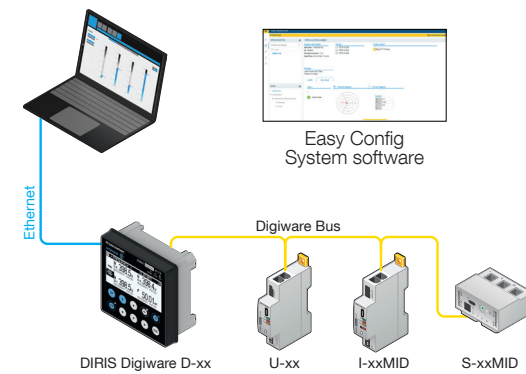
(*) Please refer to the DIRIS Digiware instruction manual for the I-3x installation.

7 Configuration

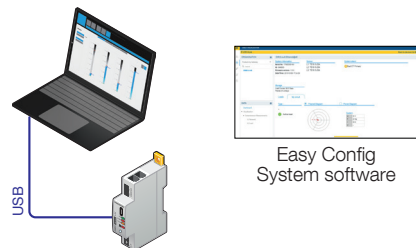
USB through D-xx display



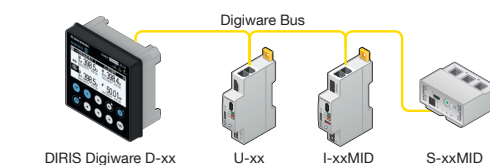
Ethernet through D-xx display



Direct USB to U-xx / I-xx / S-xx modules



Manually using HMI menus



QUICK START GUIDE



Multi-circuit MID certified active energy meters

DIRIS Digiware I-xxMID / S-xxMID



Full manual #542875
Socomec Resources Center
To download, brochures, catalogues and technical manuals

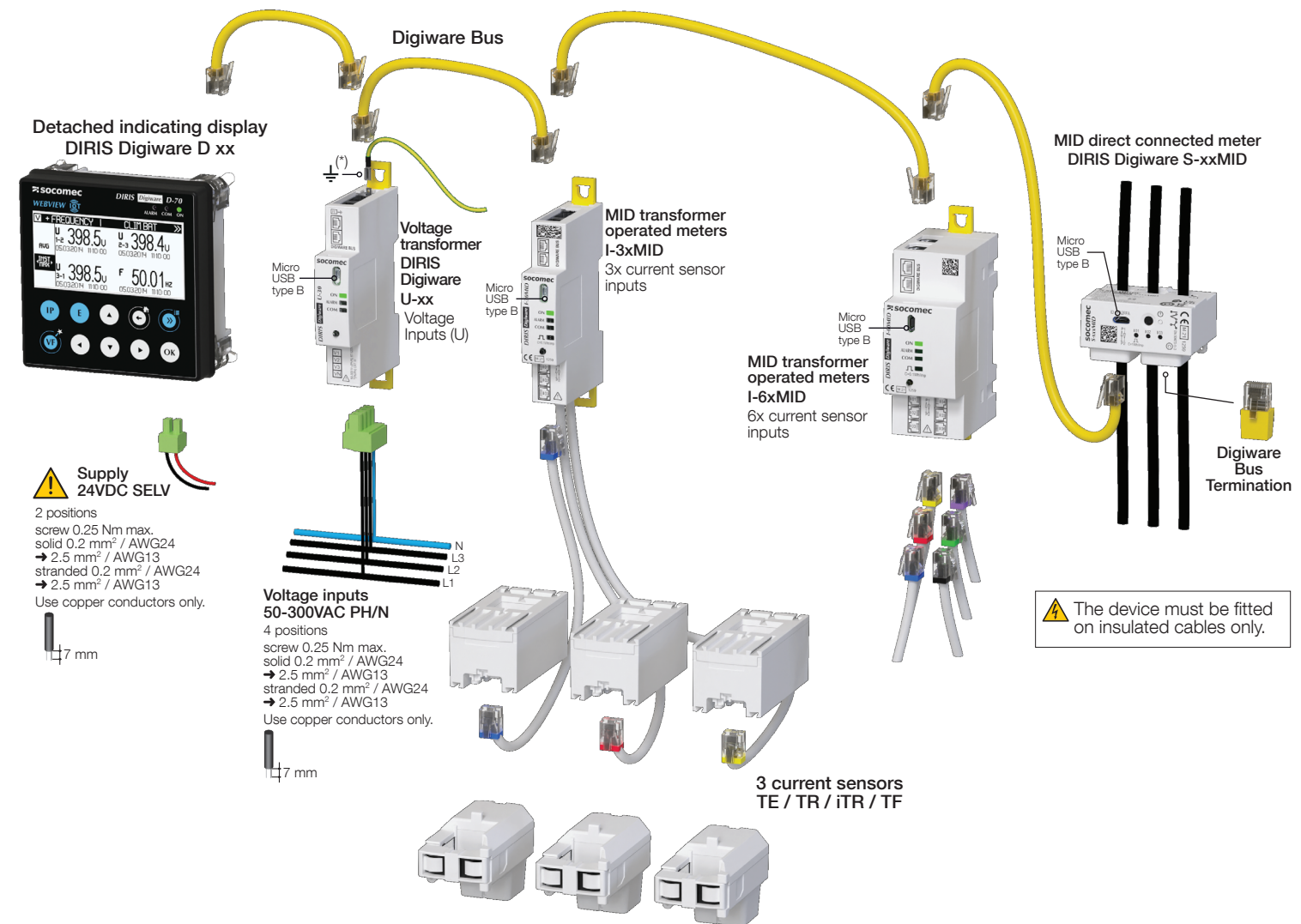
Product pictograms

	From left to right, single phase, three phase without neutral, three phase with neutral
	Power
	Meter pulse metrological LED
	Bi-directional energy meter (default is P1 → P2)

1 Wiring

⚠ Use **RJ45 Digiware Bus cables** (UTP RJ45 straight, twisted pairs, unshielded, AWG24, 300V, cat.III. rated, -20 / +70 °C) between all DIRIS Digiware modules.

⚠ Do not put USB or RJ45 connectors in contact with hazardous voltage.



⚠ **Supply 24VDC SELV**
2 positions
screw 0.25 Nm max.
solid 0.2 mm² / AWG24
→ 2.5 mm² / AWG13
stranded 0.2 mm² / AWG24
→ 2.5 mm² / AWG13
Use copper conductors only.

Voltage inputs 50-300VAC PH/N
4 positions
screw 0.25 Nm max.
solid 0.2 mm² / AWG24
→ 2.5 mm² / AWG13
stranded 0.2 mm² / AWG24
→ 2.5 mm² / AWG13
Use copper conductors only.

3 current sensors TE / TR / ITR / TF

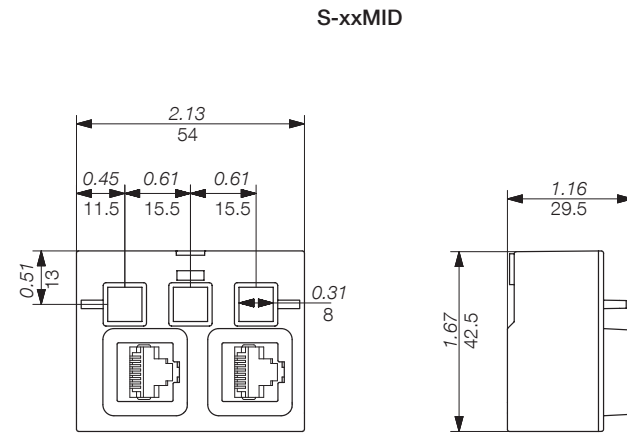
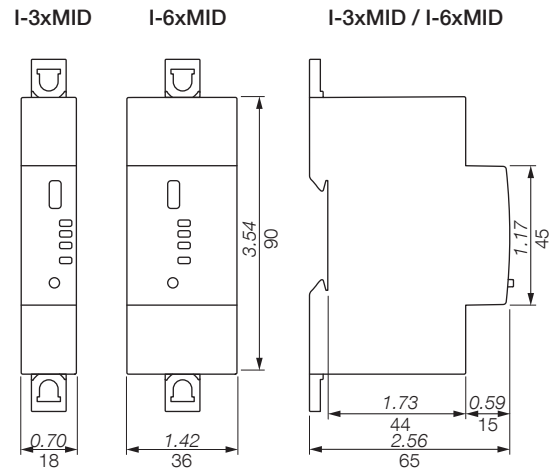
⚠ The device must be fitted on insulated cables only.

SELV : Safety Extra Low Voltage.
(*) Do not forget to connect earth to the DIRIS Digiware U module.

⚠ The use of a DIRIS Digiware D xx display is mandatory to claim compliance of the DIRIS Digiware system to the EN 50470-1/EN 50470-3 standards and MID directive.

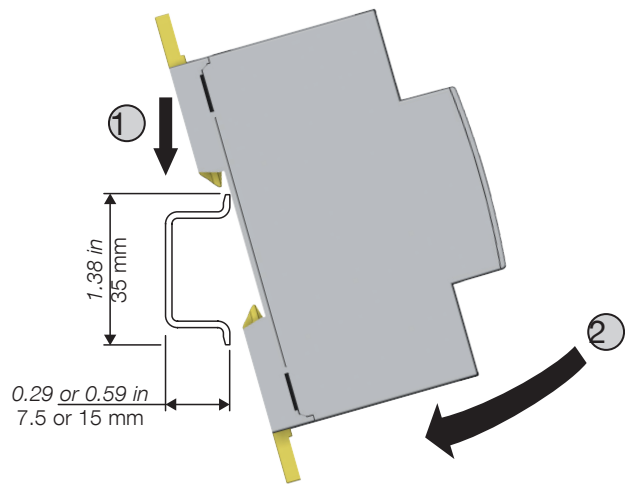


2 Dimensions (in/mm)

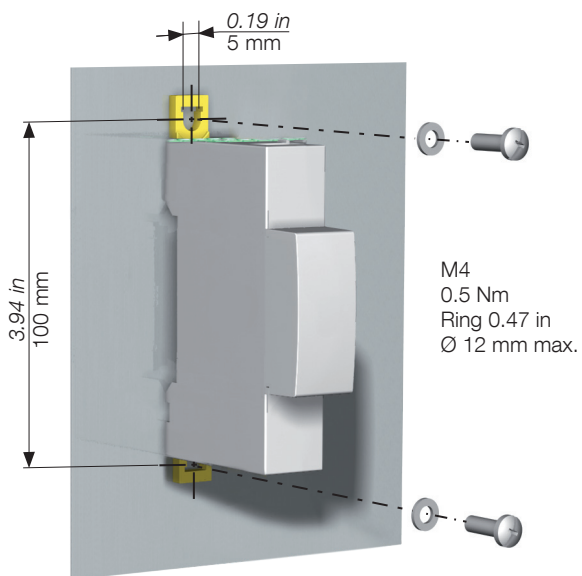


3 Mounting

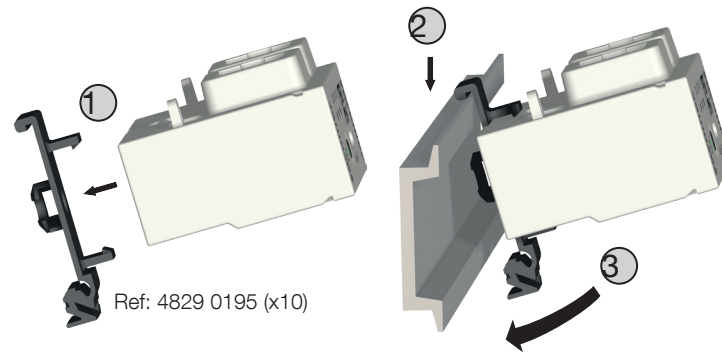
DIN rail (DIRIS Digiware I-xxMID)



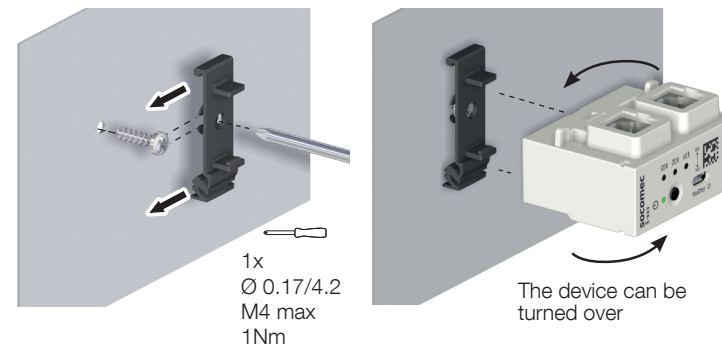
Back plate (DIRIS Digiware I-xxMID)



DIN rail (DIRIS Digiware S-xxMID)



Back plate (DIRIS Digiware S-xxMID)

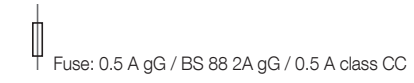


4 MID accuracy verification report



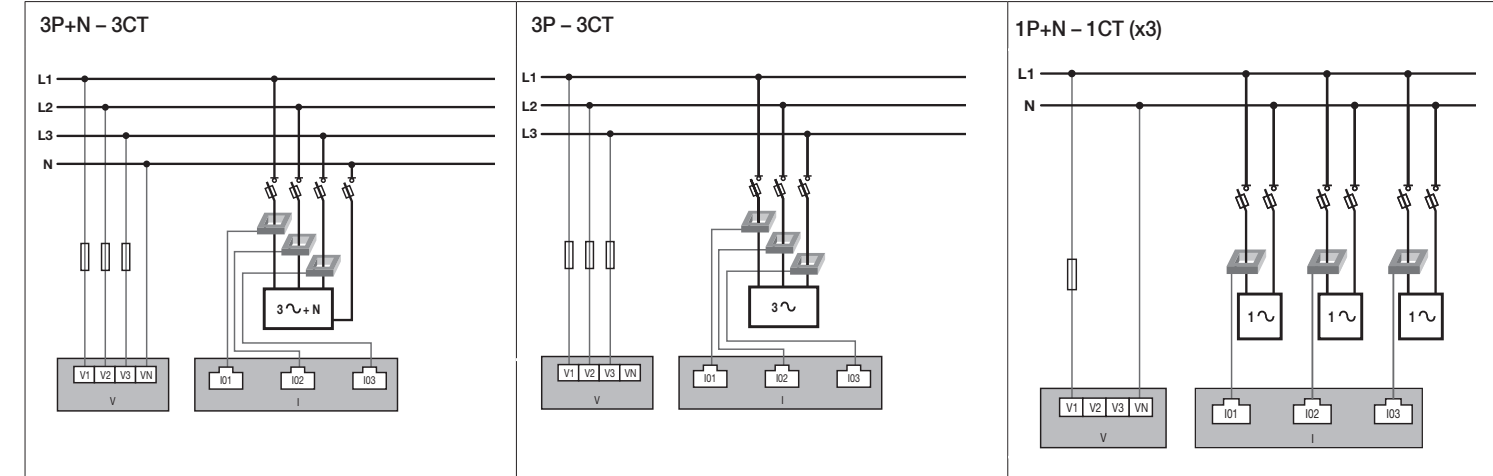
Flash the QR code or go to <https://midcertificate.socomec.com>, then follow the instructions to access the accuracy verification report according to the EN 50470 3 standard.

5 Network and Load connections

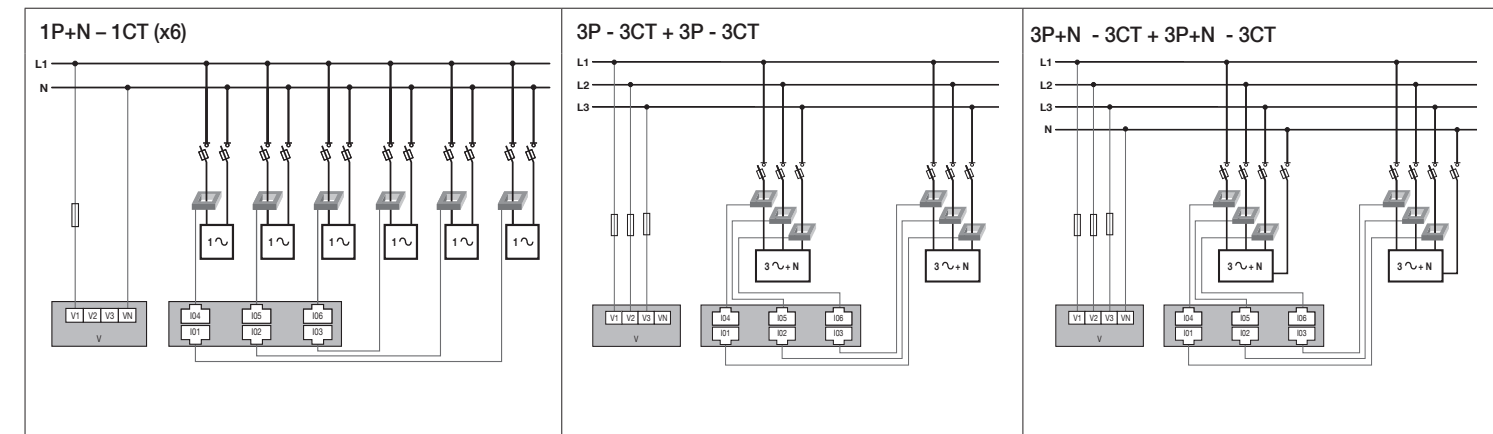


⚠ MID certification only covers following load types: 1P2W, 3P3W, 3P4W.

DIRIS Digiware I-3xMID)



DIRIS Digiware I-6xMID)



DIRIS Digiware S-xxMID)

