



MULTIS L50

Multifunctional digital panel meter



your energy
our expertise



socomec
Innovative Power Solutions

Easy to use, upgradable and reliable

The MULTIS L50 is a panel mounted digital meter displaying multi-measurement and energy values directly on its large backlit LCD display.

Metering

- Active energy: \pm kWh
- Reactive energy: \pm kvarh
- Hours:

Harmonic analysis

- Total harmonic distortion (level 51)
 - Currents: thd I1, thd I2, thd I3
 - Phase-to-neutral voltage: thd V1, thd V2, thd V3
 - Phase-to-phase voltage: thd U12, thd U23, thd U31

Communications⁽¹⁾

- RS485 with MODBUS protocol

Output

- Remote command of device
- Pulse report

Inputs

- Remote status device

(1) Available as an option (see the following pages).



Multi-measurement

- Currents
 - instantaneous: I1, I2, I3, In
 - maximum average: I1, I2, I3, In
- Voltages & frequency
 - instantaneous: V1, V2, V3, U12, U23, U31, F
- Power
 - instantaneous: $3P$, ΣP , $3Q$, ΣQ , $3S$, ΣS
 - maximum average: ΣP , ΣQ , ΣS
 - unbalance: U unB
- Power factors
 - instantaneous: $3PF$, Σ

Advantages



Easy to use

Equipped with a large backlit screen, MULTIS L50 units display a number of indications, whilst remaining easy to view. The direct access keys enable optimum use of the available functions.



Upgradable

MULTIS L50 units can be adapted to the varying needs of multi-function measurement applications: plug-in optional modules allow additional functions to be added at any time.



Reliable

MULTIS L50 is certified IEC 62053-21 class 1 and IEC 62053-23 class 2, quality standards.

Current transformers

Socomec current transformers deliver to the secondary a standard current proportional to the primary current and adapted to the rating of the associated device. They are equipped as standard with removable terminal covers and double terminals allowing the secondary to be short-circuited without any risk.

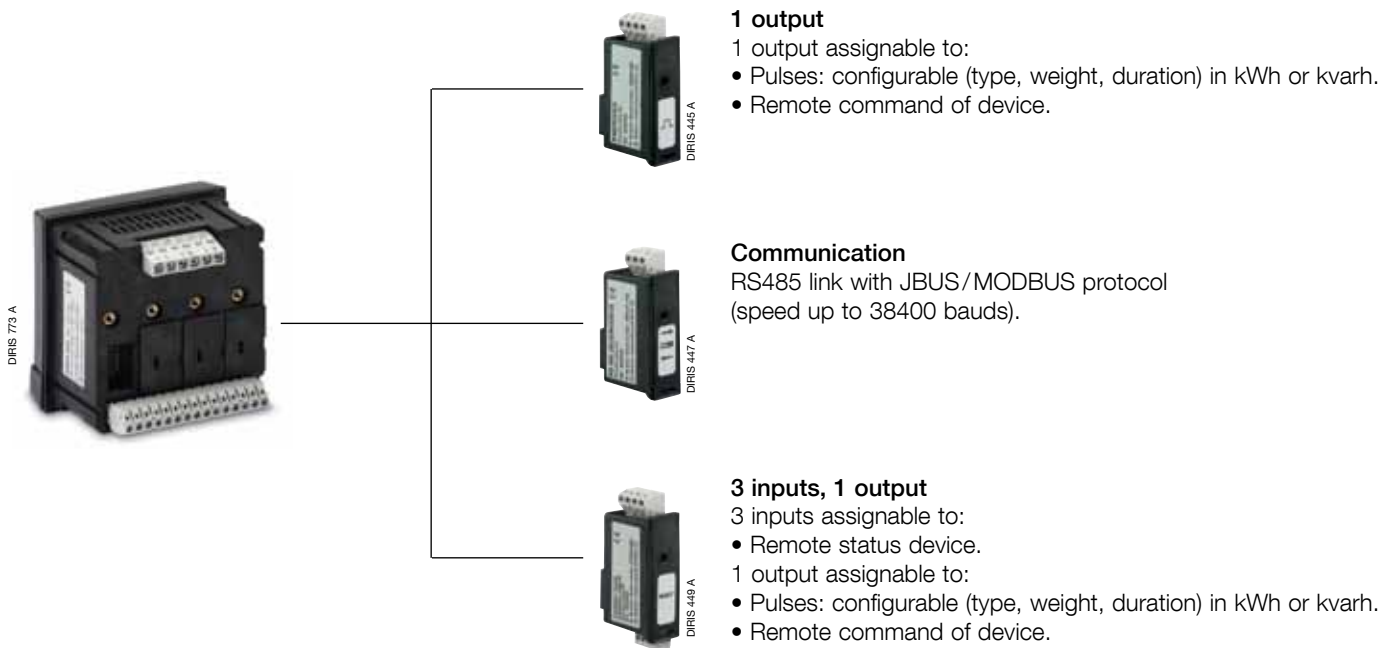


References

Primary	Secondary	Performance class 1	Performance class 0.5	Reference
50 A	5 A	0.75 VA*		196T 0050
60 A	5 A	0.75 VA*		196T 0060
75 A	5 A	0.75 VA*		196T 0075
80 A	5 A	0.75 VA*		196T 0080
100 A	5 A	1 VA		196T 0100
125 A	5 A		2.5 VA	196T 0125
150 A	5 A		2.5 VA	196T 0150
200 A	5 A		1 VA	196T 0200
250 A	5 A		2 VA	196T 0250
300 A	5 A		2 VA	196T 0300
400 A	5 A		2.5 VA	196T 0400
> 400 A		Consult us		

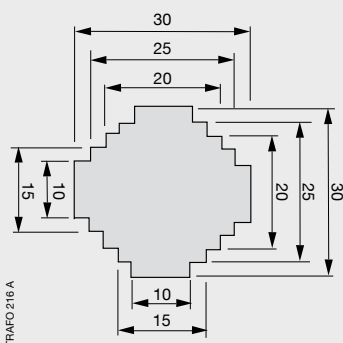
* from 50% to 100% of nominal current.

Optional modules



Basic device	Reference
Multis L50	192J 9120
Optional plug-in modules	
1 output	4825 0080
RS485 MODBUS® communication	4825 0082
3 inputs, 1 output	4825 0083

Dimensions



Dimensions (Ø)	mm
Bar 1	30 x 10
Bar 2	25 x 15
Bar 3	20 x 20
Cable	20
Dimensions (H x W x D)	mm
Height	73.5
Width	49
Depth	32

Socomec worldwide

IN EUROPE

BELGIUM

Critical Power / Power Control & Safety / Energy Efficiency

Tel. +32 2 340 02 30
Fax +32 2 346 28 99
info.be@socomec.com

FRANCE

Critical Power / Power Control & Safety / Energy Efficiency

Tel. +33 1 45 14 63 00
Fax +33 1 48 67 31 12
dcm.ups.fr@socomec.com

GERMANY

Critical Power

Tel. +49 621 71 68 40
Fax +49 621 71 68 444
info.ups.de@socomec.com

Power Control & Safety / Energy Efficiency

Tel. +49 7243 65292 0
Fax +49 7243 65292 13
info.scp.de@socomec.com

ITALY

Critical Power

Tel. +39 02 98 242 942
Fax +39 02 98 240 723
info.ups.it@socomec.com

Power Control & Safety / Energy Efficiency

Tel. +39 02 98 49 821
Fax +39 02 98 24 33 10
info.scp.it@socomec.com

NETHERLANDS

Critical Power / Power Control & Safety / Energy Efficiency

Tel. +31 30 760 0900
Fax +31 30 637 2166
info.nl@socomec.com

POLAND

Critical Power

Tel. +48 22 825 73 60
Fax. +48 22 825 73 70
info.ups.pl@socomec.com

Power Control & Safety / Energy Efficiency

Tel. +48 91 442 64 11
Fax +48 91 442 64 19
info.scp.pl@socomec.com

PORTUGAL

Critical Power / Power Control & Safety / Energy Efficiency

Tel. +351 261 812 599
Fax +351 261 812 570
info.ups.pt@socomec.com

ROMANIA

Critical Power / Power Control & Safety / Energy Efficiency

Tel. +40 21 319 36 88
Fax +40 21 319 36 89
info.ro@socomec.com

SERBIA

Critical Power / Power Control & Safety / Energy Efficiency

Tel. +381 11 40 43 246
Fax +381 11 40 43 245
info.rs@socomec.com

SLOVENIA

Critical Power / Power Control & Safety / Energy Efficiency

Tel. +386 1 5807 860
Fax +386 1 561 11 73
info.si@socomec.com

SPAIN

Critical Power / Power Control & Safety / Energy Efficiency

Tel. +34 93 540 75 75
Fax +34 93 540 75 76
info.es@socomec.com

SWITZERLAND

Critical Power

Tel. +41 44 745 40 80
Fax +41 44 745 40 85
info@socomec.ch

TURKEY

Critical Power / Power Control & Safety / Energy Efficiency

Tel. +90 216 540 71 20-21-22
Fax +90 216 540 71 27
info.tr@socomec.com

UNITED KINGDOM

Critical Power

Tel. +44 1285 863 300
Fax +44 1285 862 304
info.uk@socomec.com

Power Control & Safety / Energy Efficiency

Tel. +44 1462 440 033
Fax +44 1462 431 143
info.uk@socomec.com

IN ASIA PACIFIC

AUSTRALIA

Critical Power / Power Control & Safety

Tel. +61 2 9325 3900
Fax +61 2 9888 9544
info.ups.au@socomec.com

CHINA

Critical Power / Power Control & Safety / Energy Efficiency

Tel. +86 21 52 98 95 55
Fax +86 21 62 28 34 68
info.cn@socomec.com

INDIA

Critical Power / Power Control & Safety / Energy Efficiency

Tel. +91 44 39215400
Fax +91 44 39215450 & 51
info.in@socomec.com

SINGAPORE

Critical Power / Power Control & Safety / Energy Efficiency

Tel. +65 6506 7600
Fax +65 64 58 7377
info.sg@socomec.com

THAILAND

Critical Power

Tel. +66 2 941 1644 7
Fax +66 2 941 1650
info.ups.th@socomec.com

IN MIDDLE EAST

UNITED ARAB EMIRATES

Critical Power / Power Control & Safety / Energy Efficiency

Tel. +971 4 29 98 441
Fax +971 4 29 98 449
info.ae@socomec.com

IN AMERICA

USA, CANADA & MEXICO

Power Control & Safety / Energy Efficiency

Tel. +1 617 245 0447
Fax +1 617 245 0437
info.us@socomec.com

OTHER COUNTRIES

NORTH AFRICA

Algeria / Morocco / Tunisia
info.naf@socomec.com

AFRICA

Other countries
info.africa@socomec.com

SOUTH EUROPE

Cyprus / Greece / Israel / Malta
info.se@socomec.com

SOUTH AMERICA

Tel. +34 93 540 75 75
info.es@socomec.com

MORE DETAILS

www.socomec.com/worldwide

HEAD OFFICE

SOCOMECS GROUP

SAS SOCOMECS capital 10 686 000 €
R.C.S. Strasbourg B 548 500 149
B.P. 60010 - 1, rue de Westhouse
F-67235 Benfeld Cedex - FRANCE
Tel. +33 3 88 57 41 41
Fax +33 3 88 74 08 00
info.scp.isd@socomec.com

www.socomec.com

YOUR DISTRIBUTOR / PARTNER

your energy
our expertise



ENERGY
SPECIALIST
SINCE 1922

socomec
Innovative Power Solutions